

# JUMBO TRICYCLE WITH PNEUMATIC TIRES

## Model 94142

### ASSEMBLY & OPERATING INSTRUCTIONS



Due to continuing improvement, actual product may differ slightly from the product described herein.



3491 Mission Oaks Blvd., Camarillo, CA 93011  
Visit our Web Site at [www.harborfreight.com](http://www.harborfreight.com)

Copyright© 2006 by Harbor Freight Tools®. All rights reserved. No portion of this manual or any artwork contained herein may be reproduced in any shape or form without the express written consent of Harbor Freight Tools.

**For technical questions and replacement parts please call 1-800-444-3353.**

THANK YOU for choosing a **HARBOR FREIGHT TOOLS** product. For future reference, please complete the owner's record below:

**Model** \_\_\_\_\_ **Serial No.** \_\_\_\_\_ **Purchase Date** \_\_\_\_\_

SAVE THE RECEIPT, WARRANTY AND THESE INSTRUCTIONS. It is important that you read the entire manual to become familiar with the unit BEFORE you begin assembly.

### Technical Specifications

Construction:	Formed and welded square tubular steel frame, high impact poly plastic pedals with reflector strips, vinyl seat and foam rubber grips
Frame Size:	41-1/2" X 27" W (Tire-Tire)
Seat Dimensions:	10-1/2" L X 10-1/4" W X 3" thick
Maximum Weight Capacity:	250 Lbs.
Seat Height from ground:	23" with a maximum height of 26"
Height from ground to handlebars:	38"
Ground to frame clearance:	4-1/2"
Maximum Tire PSI:	Front Tire: 30 PSI maximum; Two Rear Tires: 40 PSI maximum

**THE RIDER OF THE TRICYCLE MUST BE AT LEAST 48" TALL TO PROPERLY REACH THE PEDALS.**



***READ ALL INSTRUCTIONS BEFORE USING THIS PRODUCT!***  
**Safety Warnings and Precautions**

**WARNING:** When using product, basic safety precautions should always be followed to reduce the risk of personal injury and damage to equipment.

#### **Read all instructions before using this product!**

1. **Keep work area clean.** Cluttered areas invite injuries.
2. **Check for damaged parts.** Before using any product, any part that appears damaged should be carefully checked to determine that it will operate properly and perform its intended function. Check for any broken or damaged parts and any other conditions that may affect its operation. Replace or repair damaged or worn parts immediately.
3. **Replacement parts and accessories.** When servicing, use only identical replacement parts. Use of any other parts will void the warranty.
4. **Always check hardware and assembled parts after assembling.** All connections should be tight and hardware tightened.
5. **Keep children away.** Children must never be allowed in the work area during Tricycle assembly. Only older children taller than 48" and adults should ride this Tricycle.
6. **Dress properly.** Gloves are recommended when assembling the Tricycle. Wear restrictive hair covering to contain long hair.
7. **Use eye protection.** Always wear ANSI approved impact safety goggles when assembling this product.
8. **Maintain product with care.** Store the Tricycle in a dry location.

9. **Use the right Tricycle for the situation. There are certain applications for which this Tricycle was designed. Do not modify this Tricycle and do not use this Tricycle for a purpose for which it was not intended.**
10. **Only one person allowed on the Tricycle at any time.** Only one seated rider should be on the Tricycle at a time. No other passengers should be standing on the rear of the frame, or sitting on the handlebars.
11. **The Tricycle is meant for off-road use and is not for use as transportation on main streets and highways.**
12. **Do not exceed the maximum weight capacity of 250 Lbs.**
13. Always make sure tires are properly inflated (see page 2).

**WARNING:** The warnings, cautions, and instructions discussed in this instruction manual cannot cover all possible conditions and situations that may occur. It must be understood by the operator that common sense and caution are factors which cannot be built into this product, but must be supplied by the operator.

### Unpacking

When unpacking your Tricycle with Pneumatic Tires, check to make sure all parts listed on page 5 are included. If any parts are missing or broken, please call **HARBOR FREIGHT TOOLS at 1-800-444-3353.**

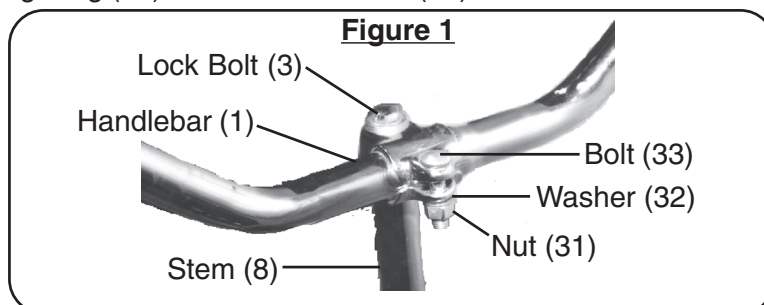
### Assembly

Your Rolling Tricycle with Pneumatic Tires will require complete assembly. It is important that you read the entire manual to become familiar with the product BEFORE you assemble and use the Tricycle. Before assembling the Tricycle be sure that you have all parts described in the Parts List and Assembly Diagram located on the last pages of this manual.

**THE RIDER OF THE TRICYCLE MUST BE AT LEAST 48" TALL TO PROPERLY REACH THE PEDALS.**

### Handlebars

1. To attach the Handlebar (1), loosen Nut (31) and slide out Bolt (33) and Washer (32). Insert Handlebar (1)-see Figure 1. Adjust Handlebar so that it is centered on the Stem (8) and set at the angle that is most comfortable for the rider. Now insert Bolt (33) with Washer (32) and thread on Nut (31). Tighten into place. Apply pressure to the Handlebars(1) to make certain that they do not rotate.
2. Slide a Grip (2) onto the end of each Handlebar (1).
3. Insert the Handlebar (1) and Stem (8) down through the Locknut (5), Upper Cap (7), and Bearing Ring (36) and into the Frame (13).



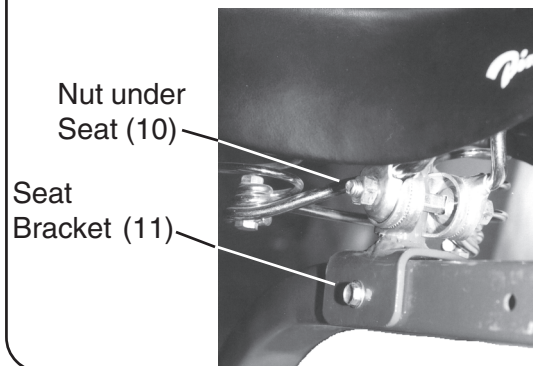
**CAUTION:** Make certain that the Stem (8) and Handlebar (1) are set at an appropriate height for the rider. Make certain that the Stem (8) is not raised beyond where it is secure in the Frame (13). Make certain it is stable and tightly in place before riding the Tricycle.

4. To raise or lower the Stem (8), use a hex wrench to loosen the Lock Bolt (3). Gently pull up on the Stem (8) or push it down until it is at the desired height. Make certain that it is centered with the frame and Front Wheel (26). Tighten the Lock Bolt (3) into place-see Figure 1.

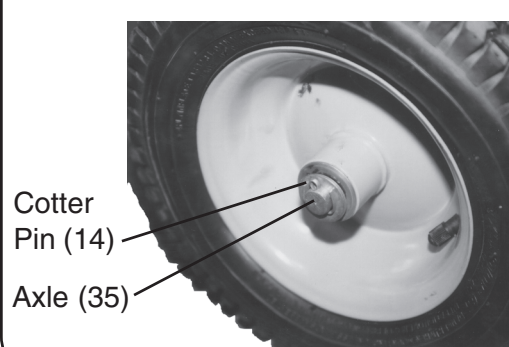
### **Attaching the Seat and Seat Bracket**

1. Line up the Seat Bracket (11) with one of the two sets of holes in the frame-see Figure 2. Insert Bolt (9) and thread on Lock Nut (34).
2. If desired, the Seat (10) can be rotated up and down or moved forward or backward by loosening the Nut located directly under the Seat (10).

**Figure 2-Seat and Seat Bracket**



**Figure 3-Rear Wheel**



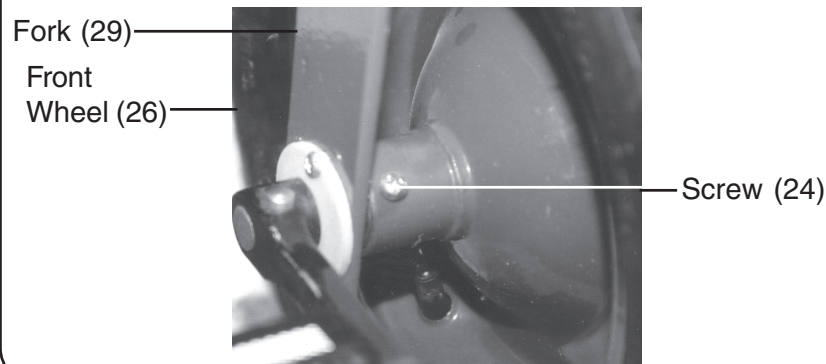
### **Attaching Rear Wheels**

1. Slide one Rear Wheel (15) onto the Rear Axle (35). Slide on Washer (16) and insert Cotter Pin (14) through the outside hole in the Axle (35)-see Figure 3. Repeat for second Rear Wheel (15)-see Figure 3.

### **Replacing Front Wheel**

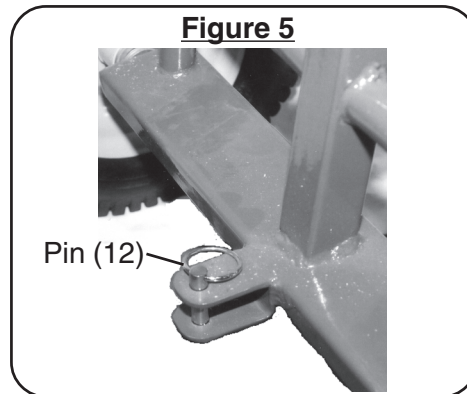
1. To fix or replace the Front Wheel (26), first remove Screws (24) from Front Wheel (26) rim-see Figure 4 and Assembly Diagram on page 6. Pull out Front Axle (25) and remove the Front Wheel (26). To put it back in position, line up Front Wheel (26) with holes in the Fork (29). Insert Front Axle (25), and thread in Screws (24).

**Figure 4**



### Inserting the Pin

1. The Tricycle can be set-up to carry a small cart or trailer (neither is included) behind it by attaching them to the rear of the Tricycle. Unhook the Pin (12) from the rear of the Tricycle. Attach the cart to the Tricycle, and insert the Pin (12) back through the carrier and Tricycle- see Figure 5.



### Maintenance

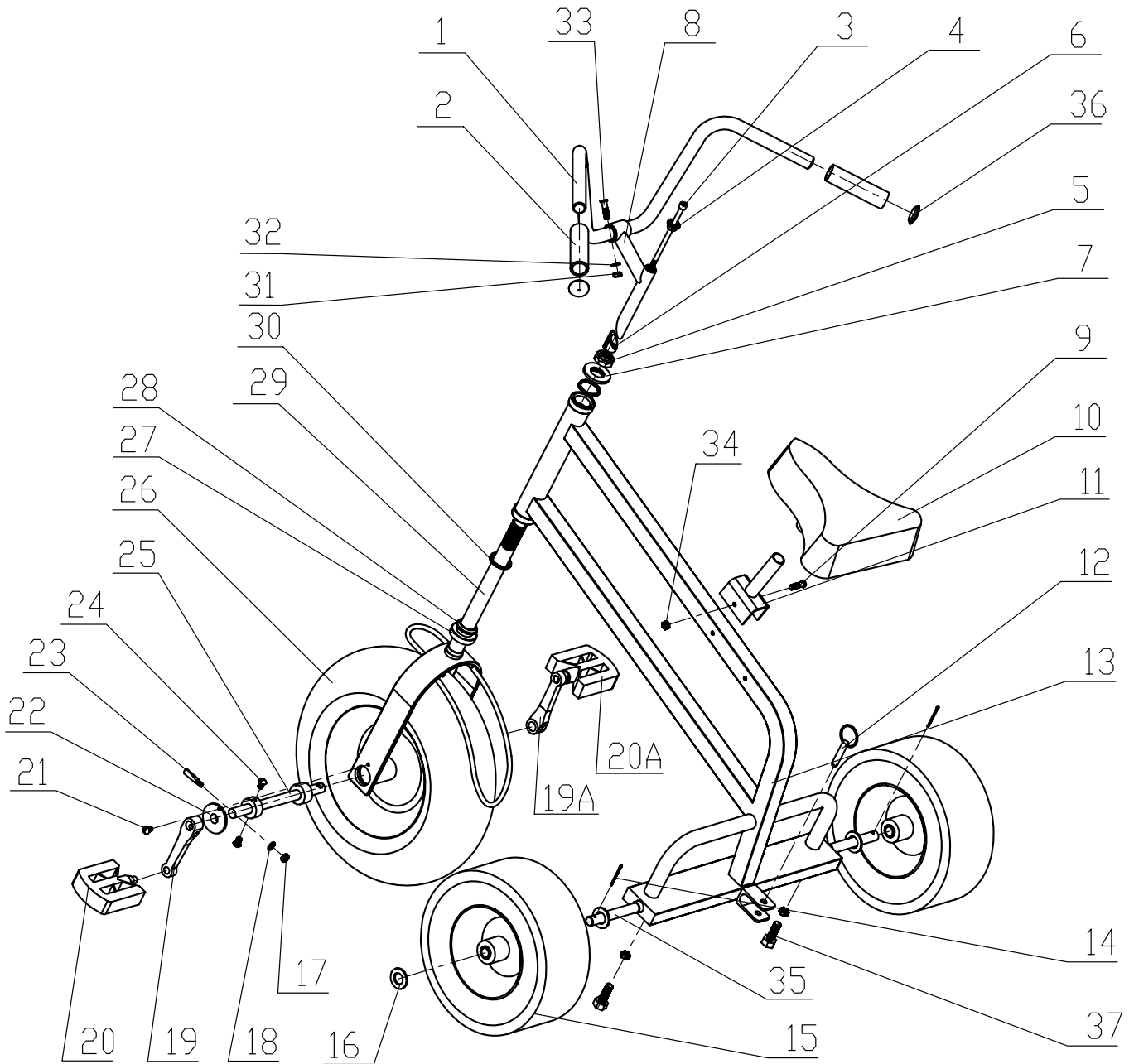
1. Check the tire pressure often. Make certain that tire PSI is correct (see Technical Specification on page 2). A low tire inflation will force the rider to exert greater energy to move the Tricycle. The tires may wear prematurely if the proper tire pressure is not maintained.
2. Wheels and Hubs should be greased periodically.

### Parts List

<b>Part #</b>	<b>Description</b>	<b>Quantity</b>	<b>Part #</b>	<b>Description</b>	<b>Quantity</b>
1	Handlebar	1	19a	Crank (right)	1
2	Grip	2	20	Pedal	2
3	Lock Bolt	1	21	Screw	2
4	Sleeve	1	22	Nylon Cap	2
5	Lock Nut	1	23	Pin	2
6	Lock	1	24	Screw M6	4
7	Upper Cap	1	25	Front Axle	1
8	Stem	1	26	Front Wheel	1
9	Bolt M6	1	27	Lower Cap	1
10	Seat	1	28	Bearing Holder	1
11	Seat Bracket	1	29	Fork	1
12	Pin	1	30	Bearing	2
13	Frame	1	31	Nut M8	1
14	Cotter Pin	2	32	Washer	1
15	Rear Wheel	2	33	Bolt	1
16	Washer	4	34	Lock Nut	1
17	Nut M6	2	35	Rear Axle	1
18	Washer	2	36	Bearing Ring	1
19	Crank (left)	1	37	Bolt M8	1

Note: Some parts are listed and shown for illustration purposes only and are not available individually as replacement parts.

## Parts and Assembly Diagram



**PLEASE READ THE FOLLOWING CAREFULLY**

**THE MANUFACTURER AND/OR DISTRIBUTOR HAS PROVIDED THE PARTS DIAGRAM IN THIS MANUAL AS A REFERENCE TOOL ONLY. NEITHER THE MANUFACTURER NOR DISTRIBUTOR MAKES ANY REPRESENTATION OR WARRANTY OF ANY KIND TO THE BUYER THAT HE OR SHE IS QUALIFIED TO MAKE ANY REPAIRS TO THE PRODUCT OR THAT HE OR SHE IS QUALIFIED TO REPLACE ANY PARTS OF THE PRODUCT. IN FACT, THE MANUFACTURER AND/OR DISTRIBUTOR EXPRESSLY STATES THAT ALL REPAIRS AND PARTS REPLACEMENTS SHOULD BE UNDERTAKEN BY CERTIFIED AND LICENSED TECHNICIANS AND NOT BY THE BUYER. THE BUYER ASSUMES ALL RISK AND LIABILITY ARISING OUT OF HIS OR HER REPAIRS TO THE ORIGINAL PRODUCT OR REPLACEMENT PARTS THERETO, OR ARISING OUT OF HIS OR HER INSTALLATION OF REPLACEMENT PARTS THERETO.**